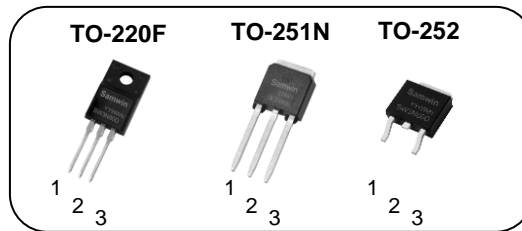


N-channel Enhanced mode TO-220F/TO-251N/TO-252 MOSFET

Features

- High ruggedness
- Low $R_{DS(ON)}$ (Typ 3.8Ω) @ $V_{GS}=10V$
- Low Gate Charge (Typ $17nC$)
- Improved dv/dt Capability
- 100% Avalanche Tested
- Application: DC-DC , LED , PC

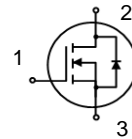


1. Gate 2. Drain 3. Source

$BV_{DSS} : 800V$

$I_D : 3A$

$R_{DS(ON)} : 3.8\Omega$



General Description

This power MOSFET is produced with advanced technology of SAMWIN.

This technology enable the power MOSFET to have better characteristics, including fast switching time, low on resistance, low gate charge and especially excellent avalanche characteristics.



Order Codes

Item	Sales Type	Marking	Package	Packaging
1	SW F 3N80D	SW3N80D	TO-220F	TUBE
2	SW N 3N80D	SW3N80D	TO-251N	TUBE
3	SW D 3N80D	SW3N80D	TO-252	REEL

Absolute maximum ratings

Symbol	Parameter	Value			Unit
		TO-220F	TO-251N	TO-252	
V_{DSS}	Drain to source voltage	800			V
I_D	Continuous drain current (@ $T_C=25^\circ C$)	3*			A
	Continuous drain current (@ $T_C=100^\circ C$)	1.9*			A
I_{DM}	Drain current pulsed (note 1)	12			A
V_{GS}	Gate to source voltage	± 30			V
E_{AS}	Single pulsed avalanche energy (note 2)	46			mJ
E_{AR}	Repetitive avalanche energy (note 1)	0.9			mJ
dv/dt	Peak diode recovery dv/dt (note 3)	5			V/ns
P_D	Total power dissipation (@ $T_C=25^\circ C$)	20	142		W
	Derating factor above $25^\circ C$	0.16	1.14		W/ $^\circ C$
T_{STG}, T_J	Operating junction temperature & storage temperature	-55 ~ + 150			$^\circ C$
T_L	Maximum lead temperature for soldering purpose, 1/8 from case for 5 seconds.	300			$^\circ C$

*. Drain current is limited by junction temperature.

Thermal characteristics

Symbol	Parameter	Value			Unit
		TO-220F	TO-251N	TO-252	
R_{thjc}	Thermal resistance, Junction to case	6.24	0.88		$^\circ C/W$
R_{thja}	Thermal resistance, Junction to ambient	51	87		$^\circ C/W$

Electrical characteristic ($T_C = 25^\circ\text{C}$ unless otherwise specified)

Symbol	Parameter	Test conditions	Min.	Typ.	Max.	Unit
Off characteristics						
BV_{DSS}	Drain to source breakdown voltage	$V_{GS}=0V, I_D=250\mu A$	800			V
$\Delta BV_{DSS} / \Delta T_J$	Breakdown voltage temperature coefficient	$I_D=250\mu A$, referenced to 25°C		0.58		V/ $^\circ\text{C}$
I_{DSS}	Drain to source leakage current	$V_{DS}=800, V_{GS}=0V$			1	μA
		$V_{DS}=640V, T_C=125^\circ\text{C}$			50	μA
I_{GSS}	Gate to source leakage current, forward	$V_{GS}=30V, V_{DS}=0V$			100	nA
	Gate to source leakage current, reverse	$V_{GS}=-30V, V_{DS}=0V$			-100	nA
On characteristics						
$V_{GS(TH)}$	Gate threshold voltage	$V_{DS}=V_{GS}, I_D=250\mu A$	2.5		4.5	V
$R_{DS(ON)}$	Drain to source on state resistance	$V_{GS}=10V, I_D=1.5A, T_J=25^\circ\text{C}$		3.8	5.0	Ω
		$V_{GS}=10V, I_D=1.5A, T_J=125^\circ\text{C}$		7.6		Ω
G_{fs}	Forward transconductance	$V_{DS}=30V, I_D=1.5A$		3.3		S
Dynamic characteristics						
C_{iss}	Input capacitance	$V_{GS}=0V, V_{DS}=25V, f=1\text{MHz}$		583		pF
C_{oss}	Output capacitance			57		
C_{rss}	Reverse transfer capacitance			6.6		
$t_{d(on)}$	Turn on delay time	$V_{DS}=400V, I_D=3A, R_G=10\Omega, V_{GS}=10V$ (note 4,5)		8.7		ns
t_r	Rising time			22		
$t_{d(off)}$	Turn off delay time			24		
t_f	Fall time			23		
Q_g	Total gate charge	$V_{DS}=640V, V_{GS}=10V, I_D=3A, I_g=3mA$ (note 4,5)		17		nC
Q_{gs}	Gate-source charge			3.6		
Q_{gd}	Gate-drain charge			7.8		
R_g	Gate resistance		$V_{DS}=0V$, Scan F mode		3.2	

Source to drain diode ratings characteristics

Symbol	Parameter	Test conditions	Min.	Typ.	Max.	Unit
I_S	Continuous source current	Integral reverse p-n Junction diode in the MOSFET			3	A
I_{SM}	Pulsed source current				12	A
V_{SD}	Diode forward voltage drop.	$I_S=3A, V_{GS}=0V$			1.4	V
t_{rr}	Reverse recovery time	$I_S=3A, V_{GS}=0V, di_f/dt=100A/\mu s$		422		ns
Q_{rr}	Reverse recovery charge				1.8	μC

※. Notes

1. Repeattive rating : pulse width limited by junction temperature.
2. $L=10.2\text{mH}, I_{AS}=3A, V_{DD}=50V, R_G=25\Omega$, Starting $T_J=25^\circ\text{C}$
3. $I_{SD} \leq 3A, di/dt = 100A/\mu s, V_{DD} \leq BV_{DSS}$, Starting $T_J=25^\circ\text{C}$
4. Pulse Test : Pulse Width $\leq 300\mu s$, duty cycle $\leq 2\%$.
5. Essentially independent of operating temperature.

Fig. 1. On-state characteristics

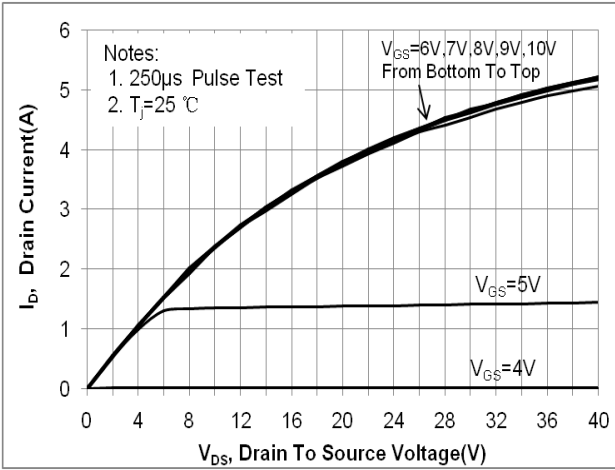


Fig. 2. Transfer Characteristics

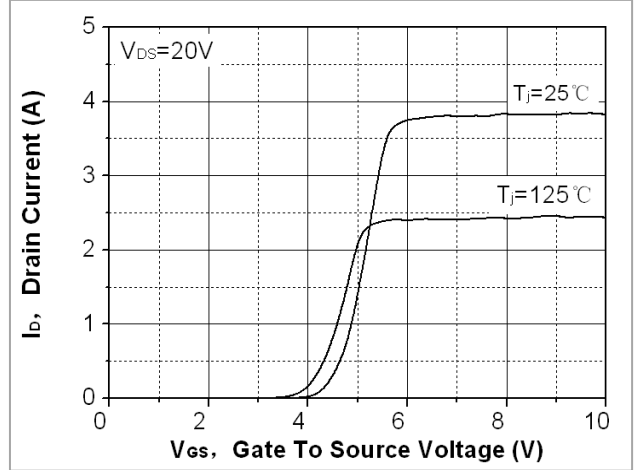


Fig. 3. On-resistance variation vs. drain current and gate voltage

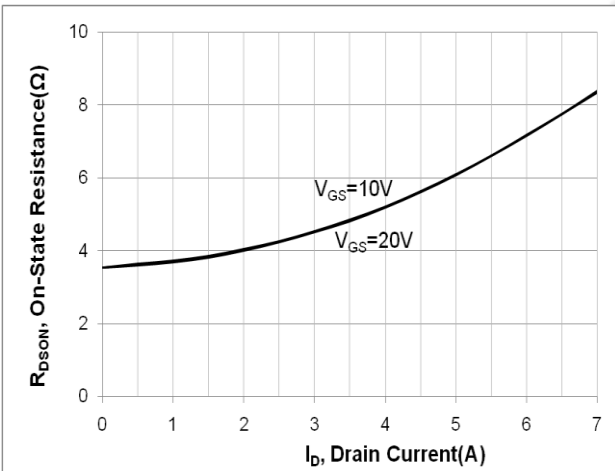


Fig. 4. On-state current vs. diode forward voltage

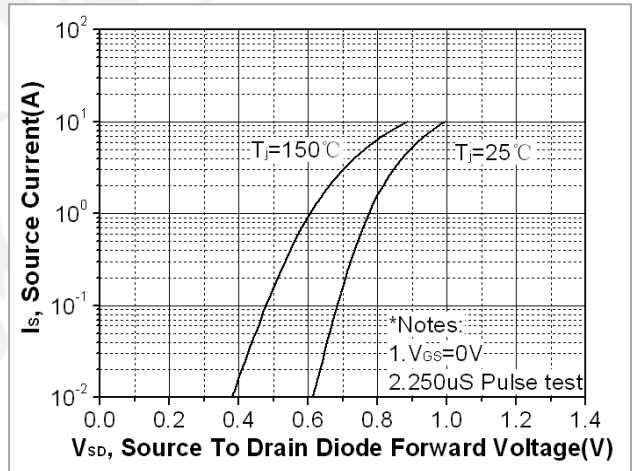


Fig 5. Breakdown voltage variation vs. junction temperature

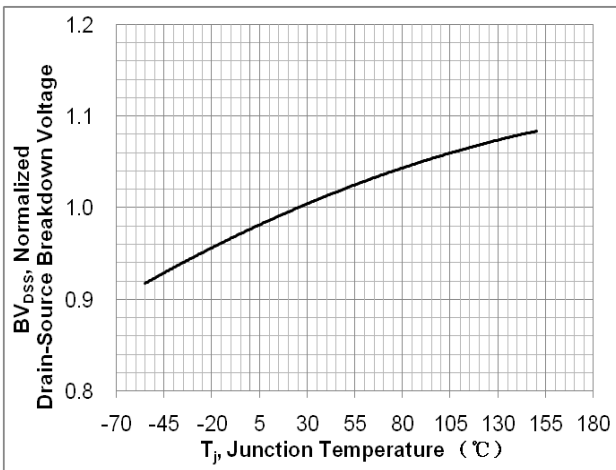


Fig. 6. On-resistance variation vs. junction temperature

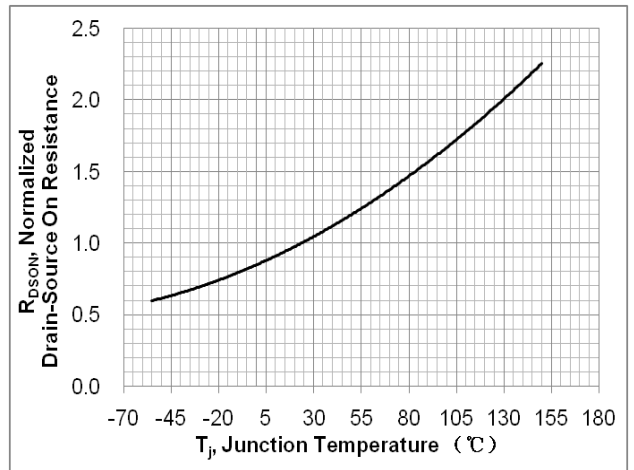


Fig. 7. Gate charge characteristics

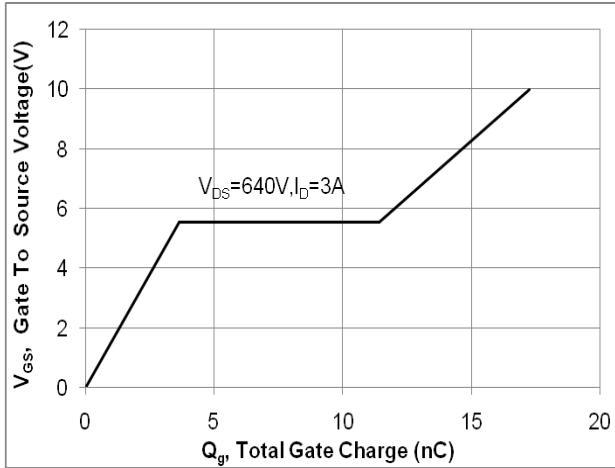


Fig. 8. Capacitance Characteristics

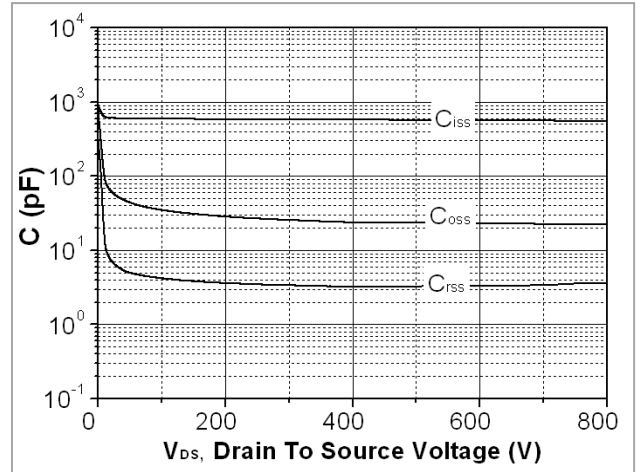


Fig. 9. Maximum safe operating area(TO-220F)

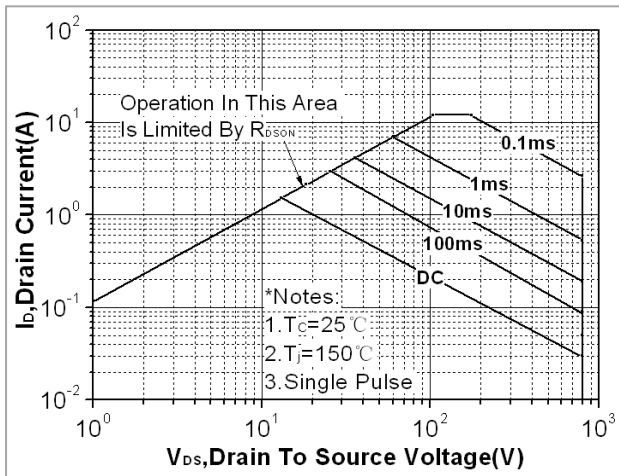


Fig. 10. Maximum safe operating area (TO-251N&TO-252)

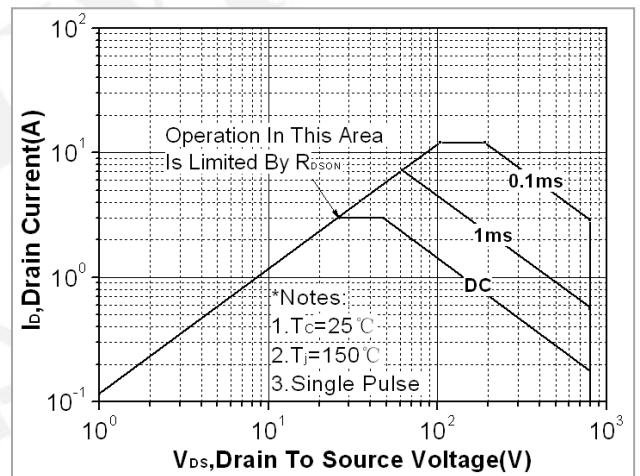


Fig. 11. Transient thermal response curve(TO-220F)

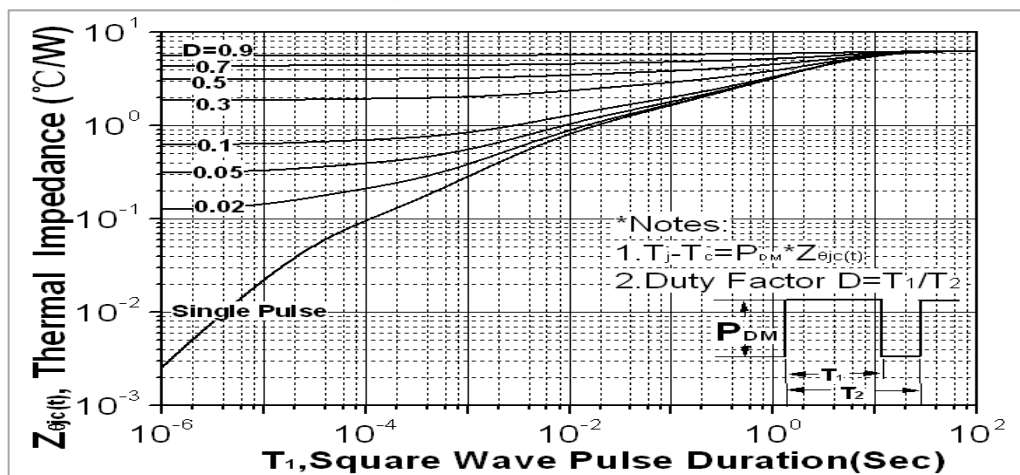


Fig. 12. Transient thermal response curve (TO-251N&TO-252)

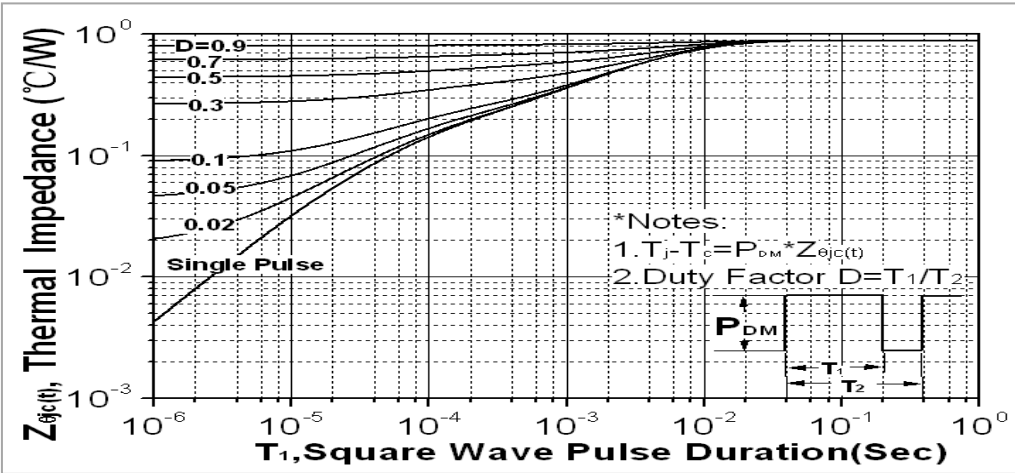


Fig. 13. Gate charge test circuit & waveform

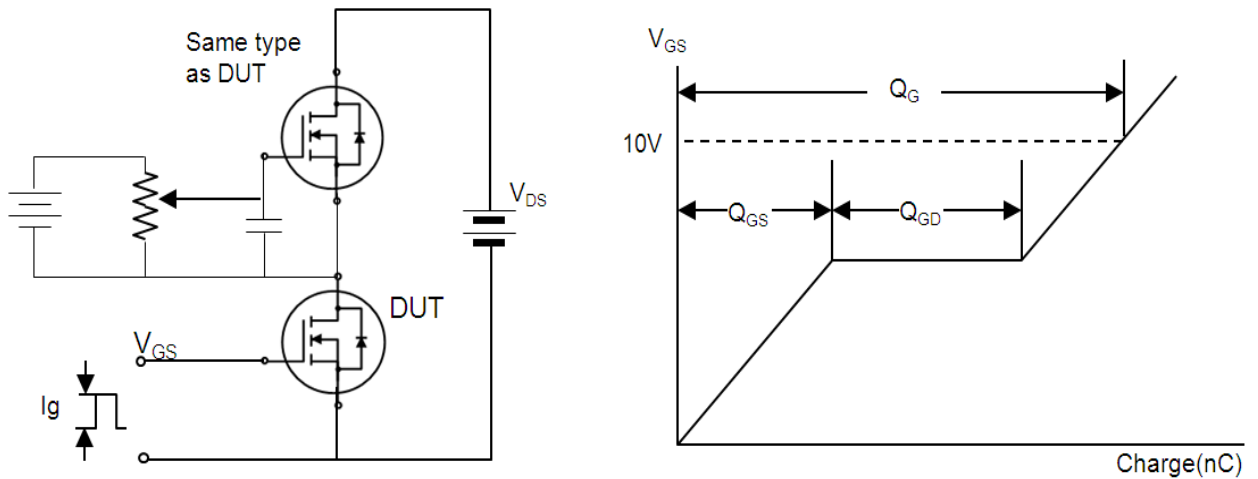


Fig. 14. Switching time test circuit & waveform

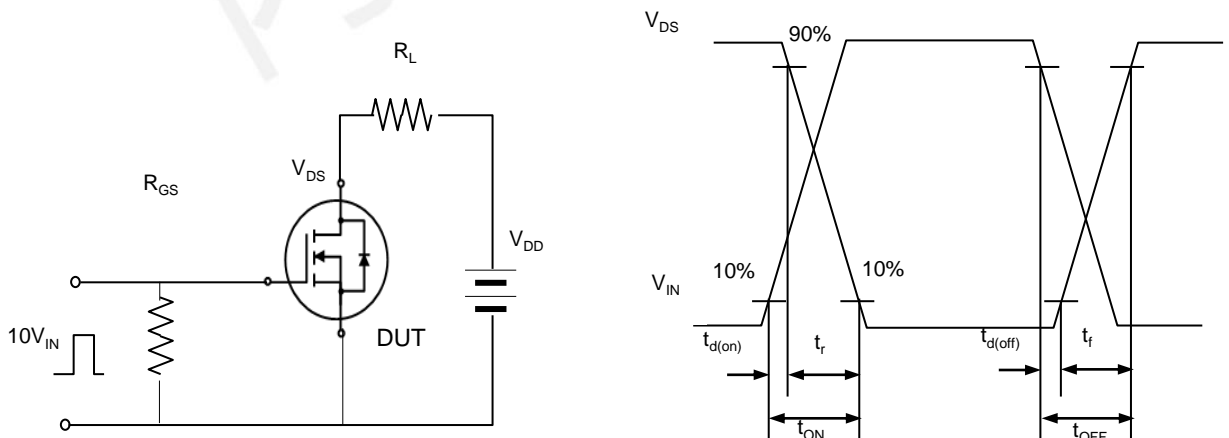


Fig. 15. Unclamped Inductive switching test circuit & waveform

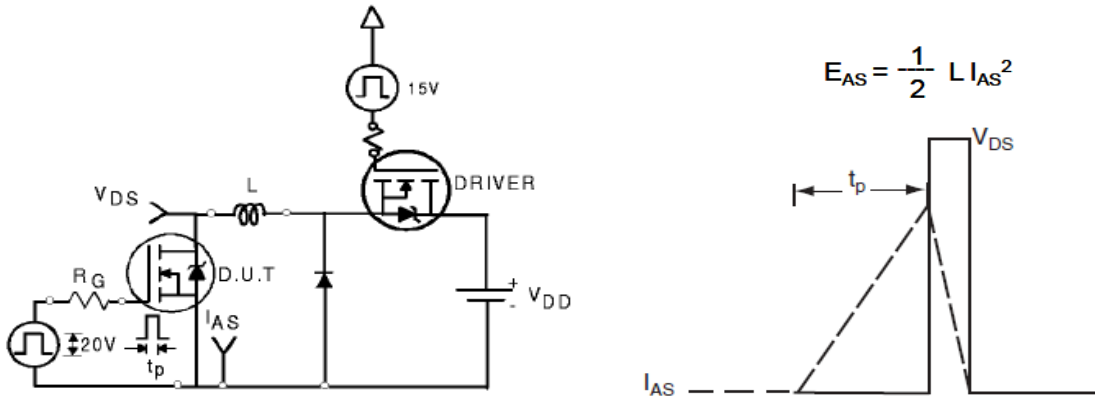
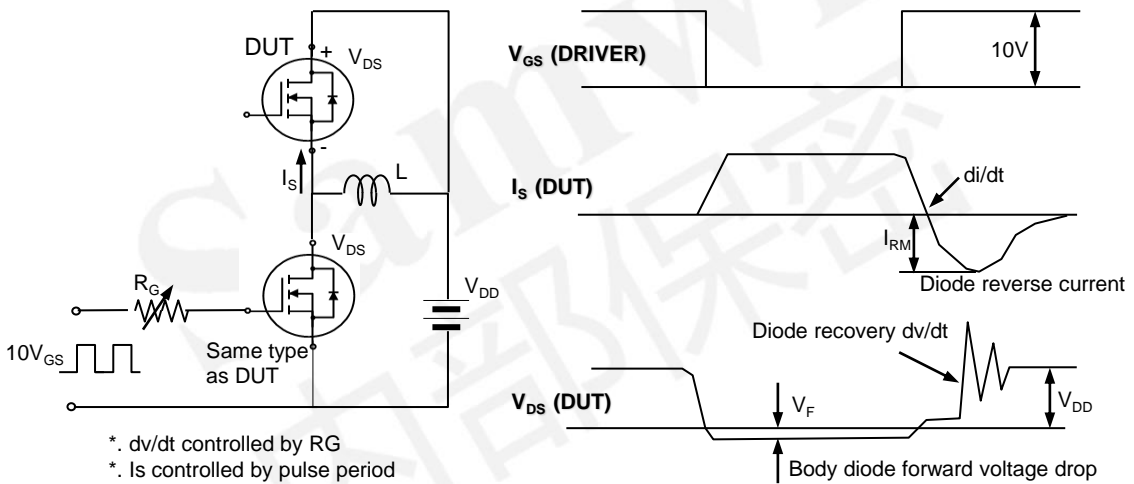


Fig. 16. Peak diode recovery dv/dt test circuit & waveform



DISCLAIMER

- * All the data & curve in this document was tested in SEMIPOWER TESTING & APPLICATION CENTER.
- * This product has passed the PCT,TC,HTRB,HTGB,HAST,PC and Solderdunk reliability testing.
- * Qualification standards can also be found on the Web site (<http://www.semipower.com.cn>)
- * Suggestions for improvement are appreciated, Please send your suggestions to samwin@samwinsemi.com